



HEAT RECOVERY UNIT

CHEMINAIR Series

ENERGY
EFFICIENT



VENTILATION
SYSTEM

NEW

**For use and distribution
of heat produced by
fireplaces**

Cabinet fans especially designed for use and distribution of heat produced by fireplaces, suitable for continuous extraction of airstreams at temperatures up to 180 °C.

All casings are manufactured in galvanised sheet steel with thermal insulation.

Provided with a thermostat sensor located on the cabinet 0-90°.

Motors

Available with single phase motor 230V 50Hz, adjustable.



CONTINUOUS
operation up to 180°C



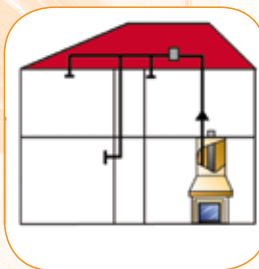
0 043382 607092

Applications

(Optimise the heating from a closed place)



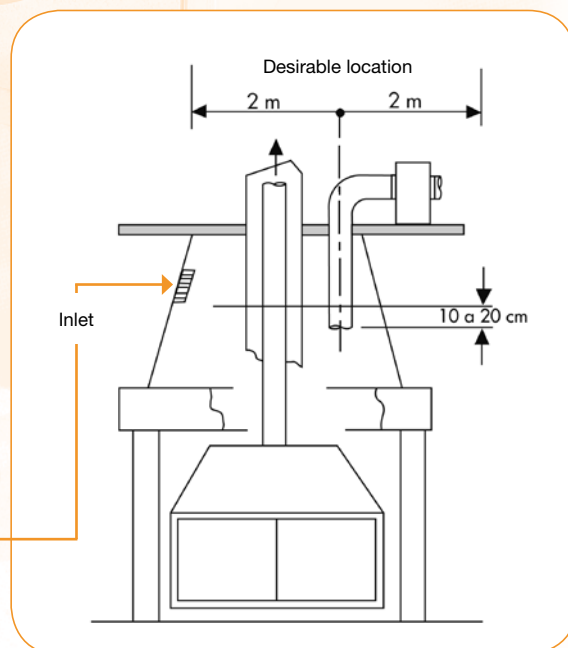
Attics of a house with one floor



Attics of a house with floors



Sanitary basement



Surface of the inlet
 $S(m^2): Q \div 3600 \div V$

If we consider a collection speed 2 m / s,

S (model 400): $400 \text{ m}^3/\text{h} \div 3600 \text{ s/h} \div 2 \text{ m/s} = 0.056 \text{ m}^2 = 560 \text{ cm}^2$

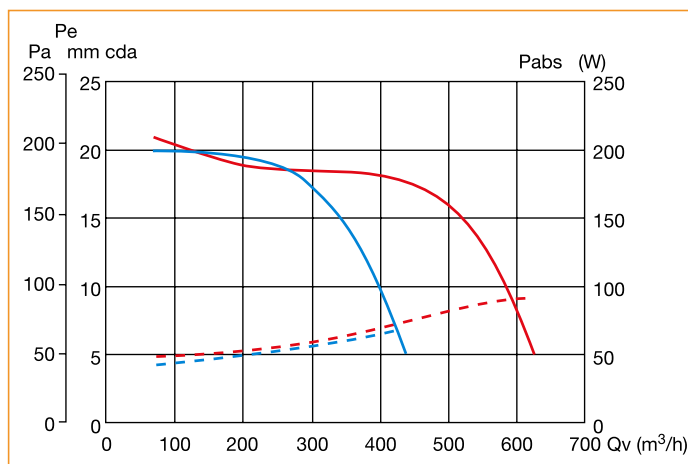
S (model 600): $600 \text{ m}^3/\text{h} \div 3600 \text{ s/h} \div 2 \text{ m/s} = 0.084 \text{ m}^2 = 840 \text{ cm}^2$

■ Technical characteristics

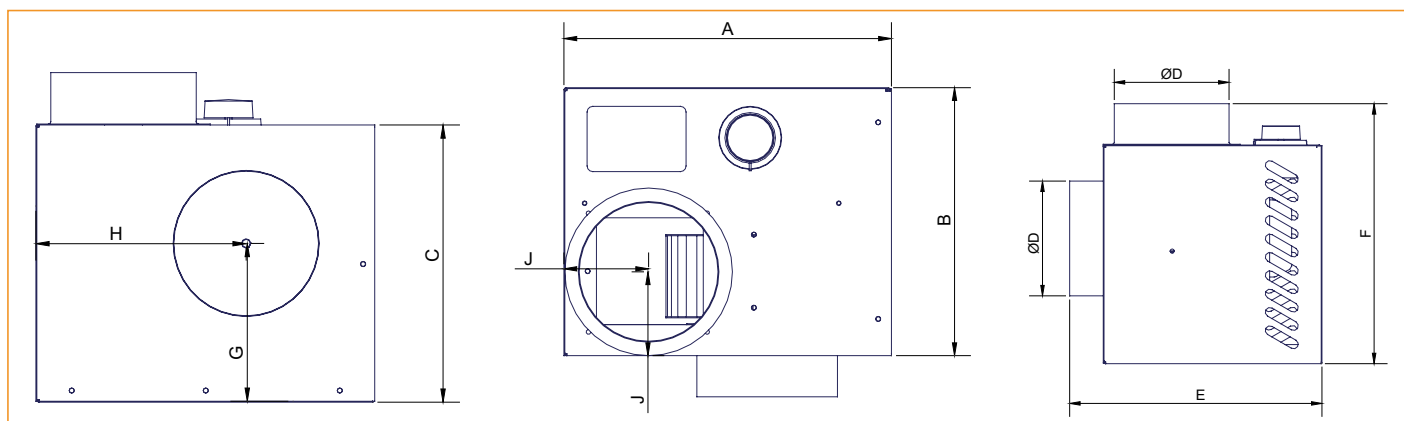
Model	Power (W)	Speed (r.p.m)	Current (A)	Speed controllable	Built-in thermal protection	Outlet Ø (mm)	Airflow (m ³ /h)
CHEMINAIR 400	65	1100	0,29	•	•	125	400
CHEMINAIR 600	100	1050	0,45	•	•	160	600

■ Performance curves

- Q = Air volume in, m³/hr.
- Pe = Static pressure in and Pa.
- Dry air at 20°C and 760 mmHg.
- Performance data in accordance with ISO 5801 and AMCA 210-99 Standards.



■ Dimensions (mm)



Model	A	B	C	ØD	E	F	G	H	J	Weight (Kg)
CHEMINAIR 400	292	238	238	125	275	283	136	180	75	6
CHEMINAIR 600	343	278	258	160	315	283	154	214	92	7,7

■ Acoustic characteristics

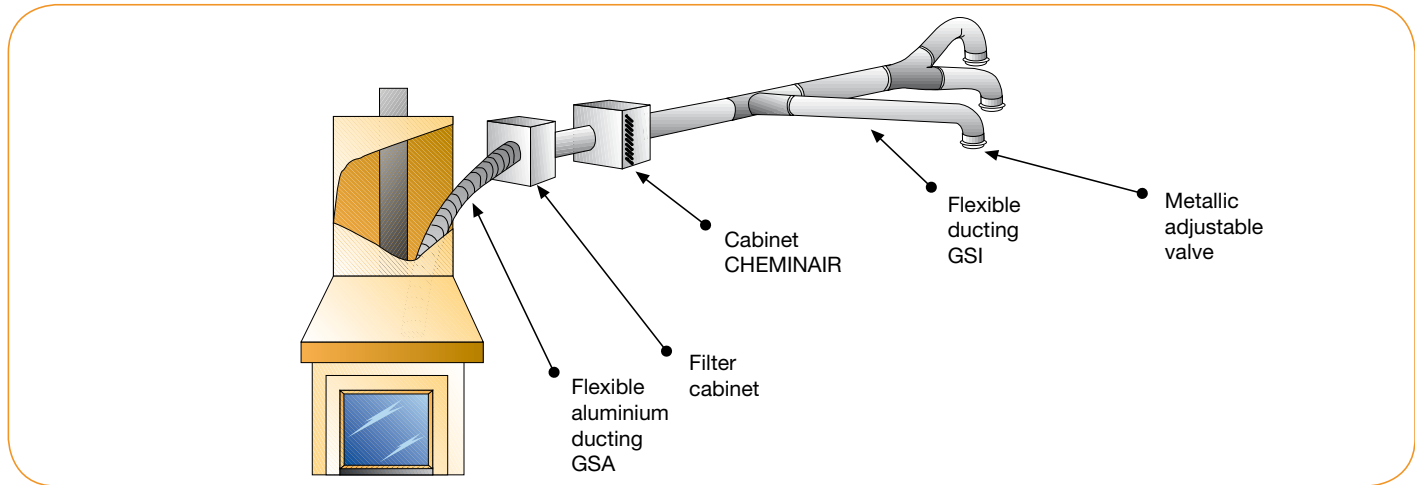
Sound power spectrum in dB(A), at the fan inlet and outlet, at 3 working points of the performance curve.

CHEMINAIR 400		63	125	250	500	1000	2000	4000	8000	GLOBAL
		INLET	400 m ³ /h	35	43	51	53	56	54	51
	250 m ³ /h	35	45	50	50	52	50	47	42	57,5
	100 m ³ /h	38	46	52	48	51	49	45	38	57,1
DISCHARGE	400 m ³ /h	35	41	56	58	62	56	53	48	65,2
	250 m ³ /h	35	41	57	56	59	53	49	44	63,0
	100 m ³ /h	38	40	57	56	57	51	47	40	62,0
RADIATED	400 m ³ /h	29	39	46	48	48	38	36	34	52,5
	250 m ³ /h	29	39	47	46	45	35	32	30	51,2
	100 m ³ /h	32	38	47	46	43	33	30	26	50,7

CHEMINAIR 600		63	125	250	500	1000	2000	4000	8000	GLOBAL
		INLET	600 m ³ /h	40	51	57	55	57	55	53
	350 m ³ /h	37	49	56	52	55	53	50	42	61,0
	100 m ³ /h	40	49	53	53	56	52	49	41	60,6
DISCHARGE	600 m ³ /h	39	48	64	62	62	58	54	47	68,3
	350 m ³ /h	36	46	62	60	61	55	50	44	66,4
	100 m ³ /h	39	48	59	58	59	53	49	42	64,1
RADIATED	600 m ³ /h	33	45	57	52	51	40	36	29	59,3
	350 m ³ /h	30	43	55	50	50	37	32	26	57,5
	100 m ³ /h	33	45	52	48	48	35	31	24	55,2

■ **Accessories**

BASIC CONCEPTS



Heating



Filter cabinet
Spare filter



GSA
Flexible aluminium ducting



GSI
Flexible ducting



BIR
Adjustable supply valve



BA
Aluminium duct tape



REB
Single phase electronic speed controller